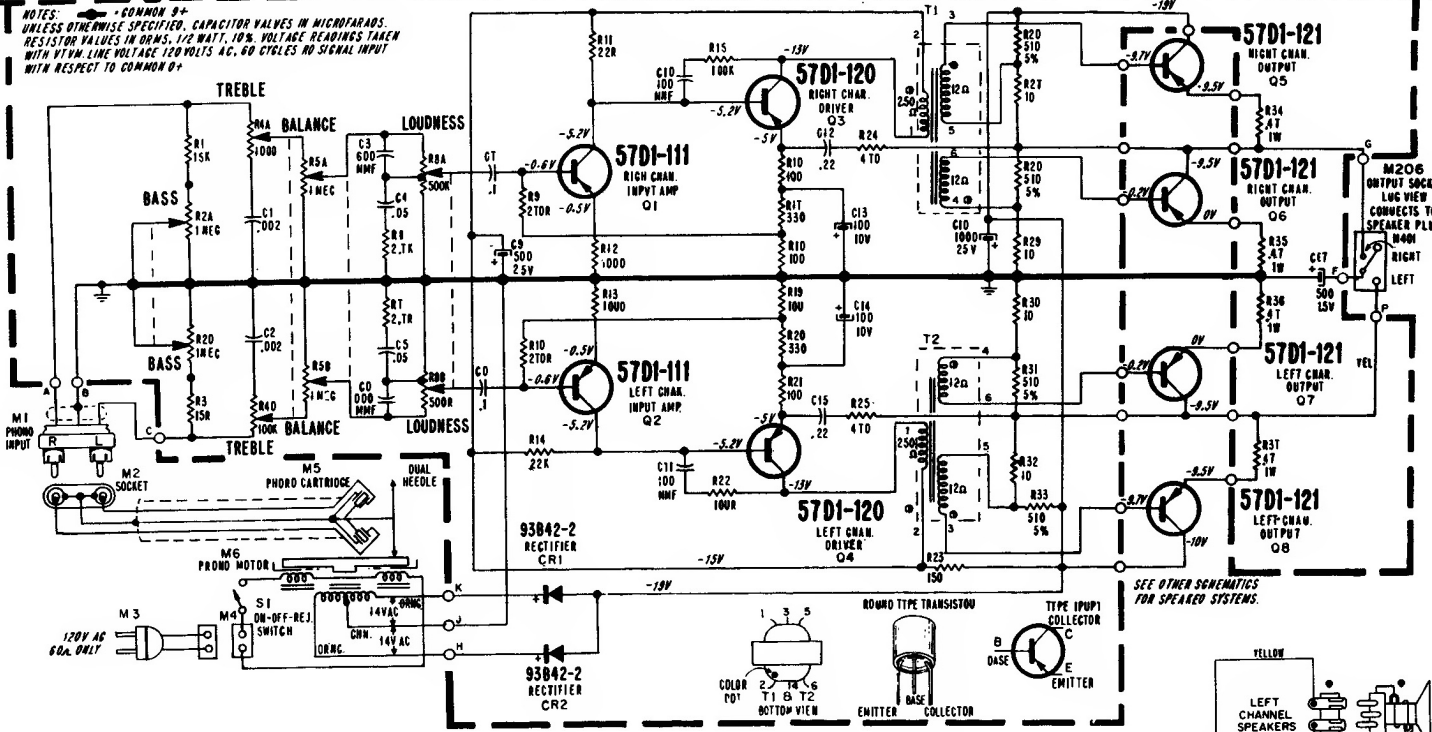


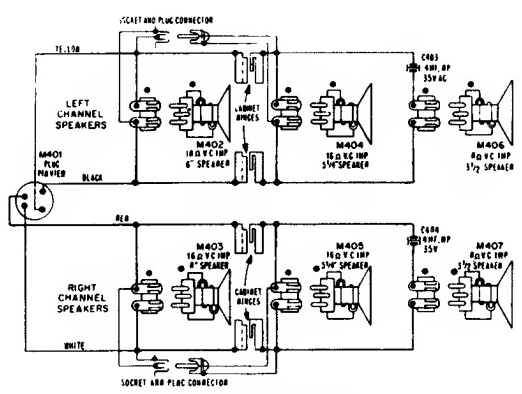
NOTES: COMMON 3+ CAPACITOR VALUES IN MICROFARADS. UNLESS OTHERWISE SPECIFIED, RESISTOR VALUES IN OHMS, 1/2 WATT, 10% VOLTAGE READINGS TAKEN WITH VTM. LINE VOLTAGE 120 VOLTS AC, 60 CYCLES NO SIGNAL INPUT WITH RESPECT TO COMMON 0+



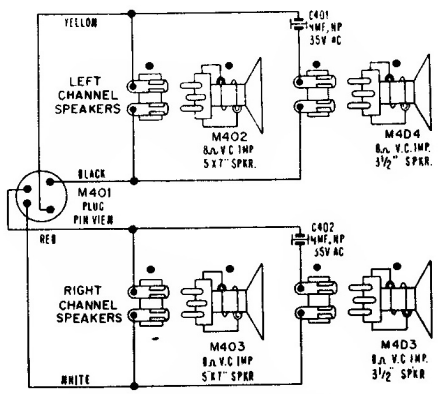
8N2 CHASSIS SCHEMATIC

SEE OTHER SCHEMATICS FOR SPEAKER SYSTEMS.

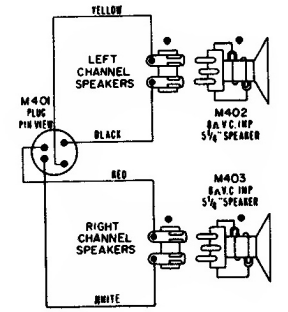
MODEL CHART		CHASSIS	RECORD CHANGER
MODEL	COLOR		
Y8157	Beige & White	8N2	RCTM5F-67AW
Y8177	Brown		
Y8181	Black		
Y8201	Walnut	RCTM5F-67AW	
Y8202	Mahogany		



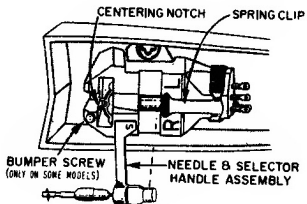
Y8181 SPEAKER WIRING



Y8177 SPEAKER WIRING



Y8157 SPEAKER WIRING



Admiral

8N2 CHASSIS